



MMSTACKER



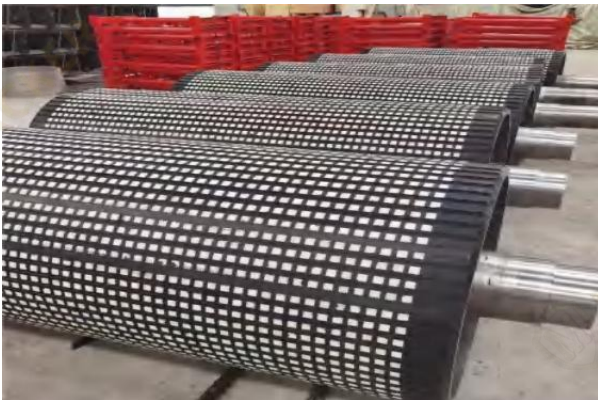
# Belt Conveyor Pulley

Website: [www.mmstacker.com](http://www.mmstacker.com) Email: [info@mmstacker.com](mailto:info@mmstacker.com)

---

# Catalog

1.1 Introduction.....	4
1.2 Drive Pulley .....	6
1.3 Non-drive Pulley .....	12





## Conveyor Pulleys

The conveyor drum is one of the important components of a belt conveyor, and its function mainly includes three aspects: supporting the rotation of the conveyor belt, transmitting driving power to the conveyor belt, and adjusting the position of the conveyor belt.

According to the function of the drum in the belt conveyor, it can be divided into two categories: drive drum pulley and Non-drive pulley.



### Diamond Profile Rubber lagged pulleys.

Diamond grooved lagging features a pattern of diamond-shaped grooves on the lagging surface. This design improves traction and helps to channel water and debris away from the pulley, preventing slippage.

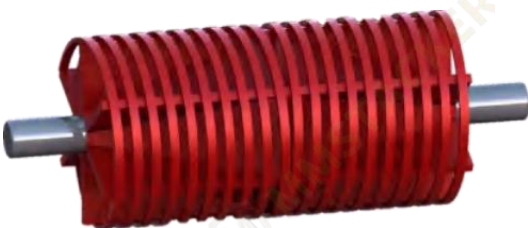


### Non-lagged Conveyor Pulley



### Ceramics Rubber Lagged Pulley

Ceramic lagging incorporates ceramic tiles embedded in a rubber matrix. This combination enhances wear resistance and provides additional grip, making it suitable for applications involving abrasive materials.



### Spiral Wing Pulley

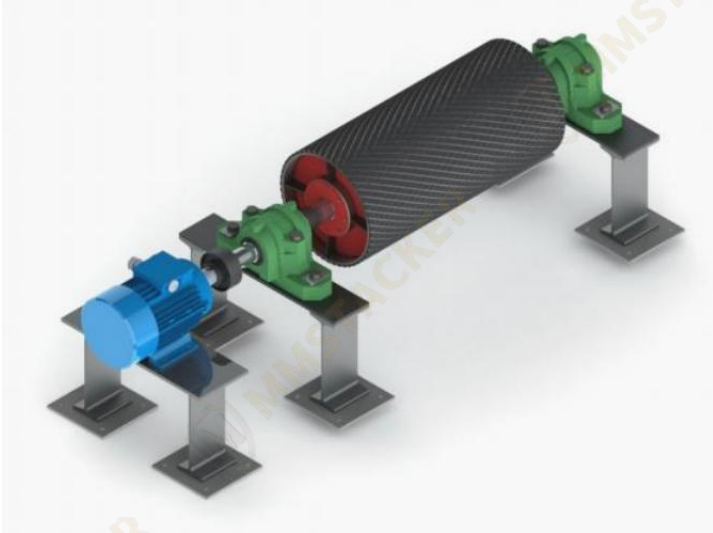
Available in crow spiral wing pulleys are formed by winding flat bar spirally from the center of a wing pulley to the outside ends. This continuous belt contact design eliminates excessive noise and vibration, while still providing a cleaning effect and allowing a path for debris to escape rather than being trapped between the pulley and belt. n or Flat Face.



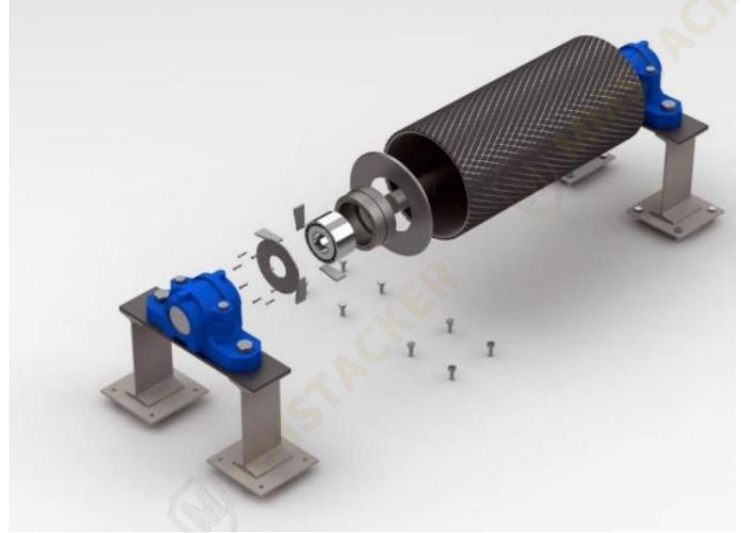
### Winged Pulley

Mine duty and quarry duty and heavy duty pulleys provide effective self-cleaning action reducing material build-up. The duty construction reduces the possibility of metal fatigue and enhances the dependability of the pulley. Ideally suited for harsh application and abrasive conditions.

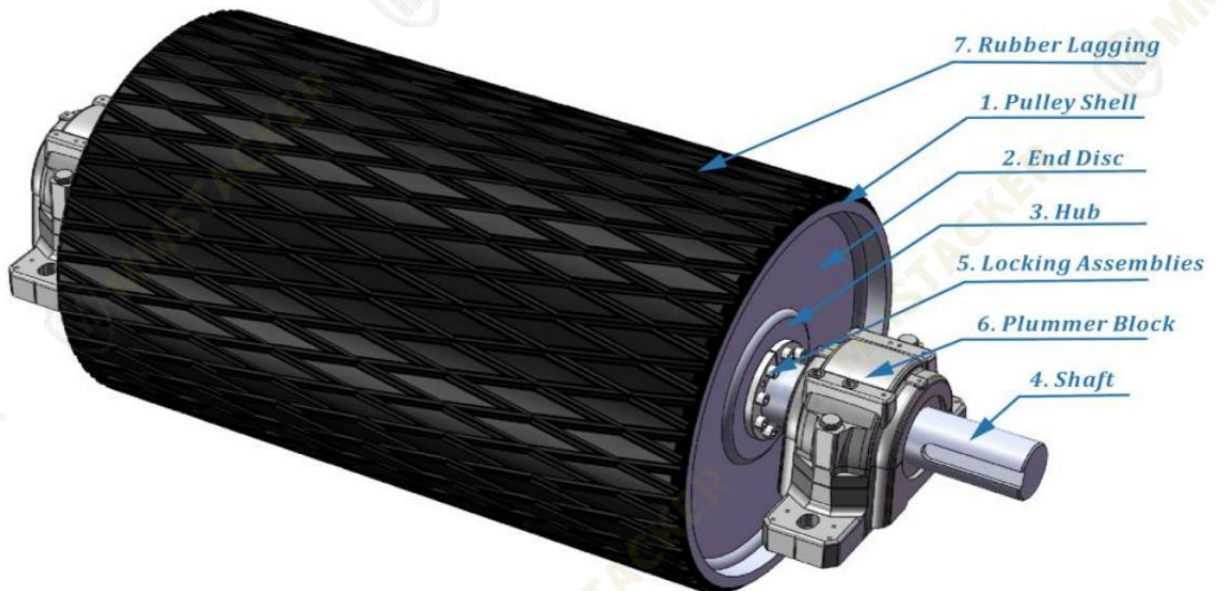
# Drum Pulley Structure



Drive Pulley



Non-drive Pulley



7. Rubber Lagging

1. Pulley Shell

2. End Disc

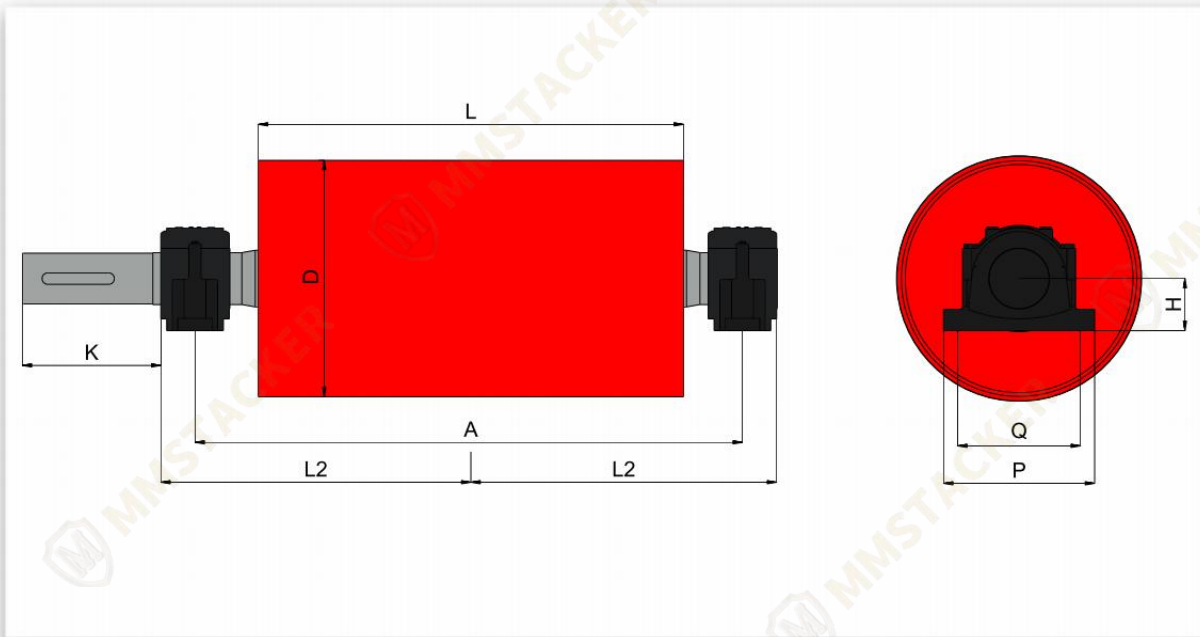
3. Hub

5. Locking Assemblies

6. Plummer Block

4. Shaft

## 1.2 Drive Pulley



Belt Width	Dia.	Allowable Torque	Allowed combined force	A	L	L2	K	Q	P	H
		KN .m	KN							
400	250	0.63	15	750	500	445	110	260	320	90
	315	0.63	12				110	260	320	90
		1.0	20			450	110	280	340	100
	400	1.0	15			445	110	260	320	90
		1.6	24			450	110	280	340	100
500	250	0.63	15	850	600	495	110	260	320	90
	315	0.63	12			495	110	260	320	90
		1.0	20			495	110	280	340	100
	400	1.25	20			495	110	260	320	90
		2.0	30			495	110	280	340	100
	500	1.6	30			495	110	280	340	100
		2.7	49			495	140	350	410	120
	650	315	1.25			25	1000	750	570	110
400		1.25	25	110	260	320				90
		2.0	35	570	110	280			340	100
500		3.5	40	570	140	350			410	120
		6.3	59	590	170	380			460	135
630		4.1	40	570	140	350			410	120
		7.3	80	590	170	380			460	135
800	315	1.25	25	1300	950	720	110	260	320	90
	400	1.25	20			720	110	260	320	90
		2	30			720	110	280	340	100
	500	2.5				720	140	350	410	120

Belt Width	Dia.	Allowable Torque	Allowed combined force	A	L	L2	K	Q	P	H		
		KN .m	KN									
800	500	4.1	40	1300	950	740	170	380	460	135		
		6	50			740	170	380	460	135		
	630	12	80			740	210	440	530	155		
		20	100			750	250	480	570	170		
	800	7	50			740	170	380	460	135		
		12	80			740	210	440	530	155		
		20	110			750	250	480	570	170		
		32	160			800	250	520	640	200		
	1000	12	80			1300	740	210	440	530	155	
		20	120			1300	750	250	480	570	170	
		32	190	1400		800	250	520	640	200		
		40	240			870	300	570	700	220		
		52	310	870		350	640	780	240			
		66	400	1450		895	350	720	880	270		
	1250	40	270	1400		870	350	640	780	240		
		66	320	1450		925	350	750	900	290		
		80	450			925	410	750	900	290		
		120	520	925		410	840	1000	310			
	1000	400	2.5	30		1500	1150	820	140	350	410	120
			3.5	45				820	140	350	410	120
500		6.3	75	840	170			380	460	135		
		6	40	840	170			380	460	135		
630		12	73	840	210			440	530	155		
		12	73	840	210			440	530	155		
800		20	110	850	250			480	570	170		
		27	160	900	250			520	640	200		
		40	190	1600	910			300	570	700	220	
		52	320	995	350			640	780	240		
1000		12	80	1500	840	210		440	530	155		
		20	110	1500	850	250		480	570	170		
		27	170	1600	900	250		520	640	200		
		40	210		910	300		570	700	220		
		52	330	1650	995	350		640	780	240		
		66	400		1000	350		720	880	270		
1250		52	320	1650	1000	350		720	880	270		
		66	450		1025	350		750	900	290		
		80	520	1650	1025	410		750	900	290		
		120	660		1025	410		840	1000	310		
1400		66	450	1650	1000	350		750	900	290		
		120	520		1025	410		840	1000	310		
		160	660	1025	470	940		1150	330			

Belt Width	Dia.	Allowable Torque	Allowed combined force	A	L	L2	K	Q	P	H	
		KN .m	KN								
1000	1600	120	520	1650	1150	1025	470	940	1150	330	
		160	660	1800		1175	470	1010	1200	380	
1200	500	6.3	60	1750	1400	965	170	380	460	135	
	630	12	52			975	210	440	530	155	
		20	85	975	250	480	570	170			
	800	12	80	1750	1400	975	210	440	530	155	
		20	110			975	250	480	570	170	
		27	140	1850		1025	250	520	640	200	
		40	180			1035	300	570	700	220	
	1000	52	230	1900	1400	1120	350	640	780	240	
		12	80	1750		975	210	440	530	155	
		20	110				250	480	570	170	
		27	160	1850		1025	250	520	640	200	
		40	210			1035	300	570	700	220	
		52	290	1900		1120	350	640	780	240	
	66	330	350		720		880	270			
	80	450	1150		350	750	900	290			
	52	320	1150		350	750	900	290			
	66	450		410	750	900	290				
	1250	80	520	1900	1400	1150	410	840	1000	310	
		120	660				470	940	1150	330	
		80	520			1150	410	840	1000	310	
		120	660				470	940	1150	330	
	1400	160	800	2050	1400	1300	470	1010	1200	380	
		120	660	1900		1150	470	940	1150	330	
	1400	800	120	660	2100	1600	1300	470	1010	1200	380
			20	100			1125	250	480	570	170
			27	130				1125	250	520	640
			40	170			1135		300	570	700
			52	210			1220	350	640	780	240
1000		66	320	2100	1220		350	720	880	270	
		20	100		1125		250	480	570	170	
		27	160				1125	250	520	640	200
		40	210		1135			300	570	700	220
		52	260		1220		350	640	780	240	
		66	300				1220	350	720	880	270
80		450	1250	350				750	900	290	
52		260	1250	350			750	900	290		
66		450		1250	410		750	900	290		
80		520			1260		410	840	1000	310	
120		660		1260			470	940	1150	330	

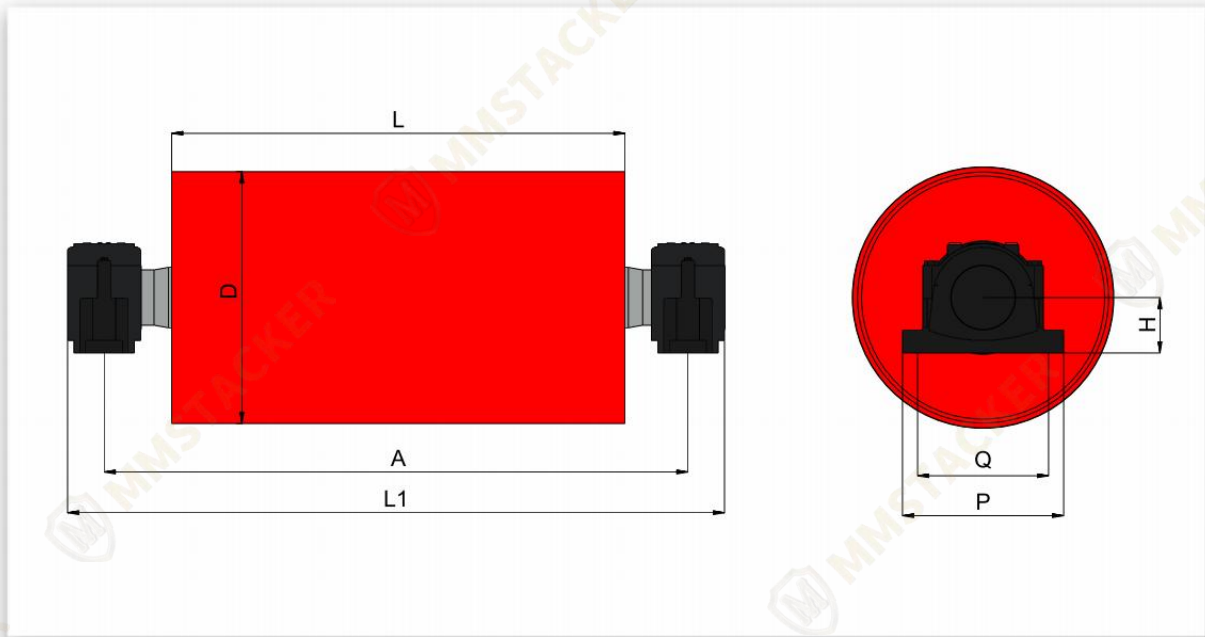


Belt Width	Dia.	Allowable Torque	Allowed combined force	A	L	L2	K	Q	P	H			
		KN .m	KN										
1400	1400	80	520	2100	1600	1260	410	840	1000	310			
		120	800			1260	470	940	1150	330			
		160	1050	2250		1400	470	1010	1200	380			
	1600	120	800	2150		1285	470	940	1150	330			
		160	1050	2250		1400	470	1010	1200	380			
1600	800	20	120	2250	1800	1235	250	520	640	200			
		27	160			1245	300	570	700	220			
		40	240	2300		1330	350	640	780	240			
		52	320				350	720	880	270			
		66	450			2350	1375	350	750	900	290		
	1000	27	160	2250		1245	300	570	700	220			
		40	240	2300		1330	350	640	780	240			
		52	320				350	720	880	270			
		66	450	2350		1375	350	750	900	290			
		80	520	2350		1385	410	750	900	290			
	120	650	1385			410	840	1000	310				
	1250	66	450	2350		1800	1375	350	750	900	290		
		80	520				1385	410	750	900	290		
		120	650				1385	410	840	1000	310		
		160	800				1385	470	940	1150	330		
	1400	80	520	2450			1385	410	840	1000	310		
		120	800				1385	470	940	1150	330		
		160	1050				1500	470	1010	1200	380		
	1600	80	520	2350			1385	410	840	1000	310		
		120	800				1385	470	940	1150	330		
		160	1200				1500	470	1010	1200	380		
	1800	800	20	160			2450	2000	1335	250	520	640	200
			27	240					1345	300	570	700	220
			40	320			2500		1430	350	640	780	240
52			450	350	720					880	270		
66			520	2550	1475				350	750	900	290	
1000		40	320	2500	1430		350		640	780	240		
		52	450				350		720	880	270		
		66	520	2550	1475		350		750	900	290		
		80	650		1485		410		750	900	290		
		120	800		1485		410		840	1000	310		
1250		66	450	2550	1485		410		750	900	290		
		80	520		1485		410		840	1000	310		
		120	650		1485		470		940	1150	330		
1400		80	450	2550	1485		410		840	1000	310		
		120	800		1485	470	940		1150	330			

Belt Width	Dia.	Allowable Torque	Allowed combined force	A	L	L2	K	Q	P	H		
		KN .m	KN									
1800	1400	160	1050	2650	2000	1600	470	1010	1200	380		
	1600	120	800	2550		1485	470	940	1150	330		
		160	1050	2650		1600	470	1010	1200	380		
2000	800	20	160	2650	2200	1445	250	520	640	200		
		27	240			1455	300	570	700	220		
		40	320	2700		1520	350	640	780	240		
		52	450				350	720	880	270		
		66	520	2750		1575	350	750	900	290		
	1000	40	320	2700		1520	350	640	780	240		
		52	450				350	720	880	270		
		66	520	2750		1575	350	750	900	290		
		80	650			1585	410	750	900	290		
	1250	120	800	2750		1585	410	840	1000	310		
		66	450			1585	410	750	900	290		
		80	520			1585	410	840	1000	310		
	1400	120	800	2750		1585	410	840	1000	310		
		120	800			1585	470	940	1150	330		
		160	1200			2850	1585	410	840	1000	310	
	1600	120	800	2750		1585	470	940	1150	330		
		160	1200	2850		1700	470	1010	1200	380		
		120	800	2750		1585	470	940	1150	330		
		160	1200	2850		1700	470	1010	1200	380		
	2200	800	27	240		2950	2500	1605	300	570	700	220
			40	320		3000		1670	350	640	780	240
			52	450		3000		1670	350	720	880	270
			66	520		3050		1725	350	750	900	290
		1000	40	320		3000		1670	350	720	880	270
52			450	3050	1725	350		750	900	290		
66			520		1735	410		750	900	290		
80			650		1735	410		840	1000	310		
120		800	1735		470	940		1150	370			
1250		80	450	3050	1735	410		840	1000	310		
		120	800		1735	470		940	1150	330		
		160	1200		3150	1850		470	1010	1200	380	
1400		80	450	3050	1735	470		940	1150	330		
		120	800	3150	1850	470		1010	1200	380		
		160	1200	3200	1885	470		1050	1240	400		
		120	800	3150	1850	470		1010	1200	380		
1600		160	1200	3200	1885	470		1050	1240	400		
		120	800	3150	1850	470		1010	1200	380		
2400	800	27	240	3250	2800	1755	300	570	700	220		
		40	320	3300		1820	350	640	780	240		
		52	450	1820		350	720	880	270			

Belt Width	Dia.	Allowable Torque	Allowed combined force	A	L	L2	K	Q	P	H
		KN .m	KN							
2400	800	66	520	3350	2800	1875	350	750	900	290
	1000	40	320	3300		1820	350	720	880	270
		52	450	3350		1875	350	750	900	290
		66	520	1885		350	750	900	290	
		80	650	1885		410	840	1000	310	
		120	800	1885		470	940	1150	370	
		80	450	1885		410	840	1000	310	
	1250	120	800	1885		470	940	1150	330	
		160	1200	3450		2000	470	1010	1200	380
		80	450	3350		1885	470	940	1150	330
	1400	120	800	3450		2000	470	1010	1200	380
		160	1200	3500		2035	470	1050	1240	400
		120	800	3450		2000	470	1010	1200	380
	1600	160	1200	3500		2035	470	1050	1240	400
		120	800	3450		2000	470	1010	1200	380
	1800	120	800	3450		2000	470	1010	1200	380
		160	1200	3500		2035	470	1050	1240	400

### 1.3 Non-drive Pulley



Belt Width	Dia.	Allowable Torque KN	A	L	L1	Q	P	H			
400	200	8	750	500	830	260	320	90			
	250	8									
	315	10									
	400	16			860	280	340	100			
		24									
500	200	8	850	600	930	260	320	90			
	250	9									
	315	10									
	400	10			960	280	340	100			
		23									
	500	28			965	350	410	120			
49											
650	200	8	1000	750	1101	260	320	90			
	250	8									
	315	8			1110	280	340	100			
		16									
		26									
	400	20			1115	350	410	120			
		32									
		46									
		1139							380	460	135
		40							1115	350	410

Belt Width	Dia.	Allowable Torque	A	L	L1	Q	P	H
		KN						
650	500	59	1000	750	1139	380	460	135
	630	59			1139	380	460	135
		70	1201		440	530	155	
800	200	6	1250	950	1330	260	320	90
	250	6			1339	280	340	100
	315	12			1344	350	410	120
		20	1300		1411	380	460	135
	400	20			1423	440	530	155
		29			1411	380	460	135
	500	45	1300		1423	440	530	155
		40			1411	380	460	135
		56			1423	440	530	155
		630	100		1300	1433	480	570
	50		1411			380	460	135
	73		1423			440	530	155
	800		100		1400	1433	480	570
		170	1550			520	640	200
		90	1300			1423	440	530
		126			1433	480	570	170
	170	1400			1550	520	640	200
	1000		250		1566	570	700	220
			240		1400	1550	520	640
		330	1566			570	700	220
	1250	400	1450			1644	640	780
		400			1644	720	880	270
		550			1734	750	900	290
		800			1740	750	900	290
1000	250	6	1450	1150	1530	260	320	90
	315	11			1539	280	340	100
		18			1544	350	410	120
	400	18	1500		1544	350	410	120
		29			1611	380	460	135
	45	1623			440	530	155	
	500	35	1500		1611	380	460	135
		45			1623	440	530	155
		75			1633	480	570	170
	630	43	1600		1611	380	460	135
		64			1623	440	530	155
		87			1633	480	570	170
		168			1750	520	640	200
	800	79	1500		1623	440	530	155

Belt Width	Dia.	Allowable Torque	A	L	L1	Q	P	H	
		KN							
1000	800	110	1500	1150	1633	480	570	170	
		168	1600		1750	520	640	200	
		220			1766	570	700	220	
		300	1650		1894	640	780	240	
	1000	1000	130		1500	1633	480	570	170
			200		1600	1750	520	640	200
			290			1766	570	700	220
		387	1650		1894	640	780	240	
		429			1894	720	880	270	
	1250	1250	400		1650	1894	720	880	270
			550			1934	750	900	290
		660	1940			750	900	290	
		1400	600			1934	750	900	290
	900		1940			840	1000	310	
	1600	1200	1940			940	1150	330	
	1200	250	6			1700	1780	260	320
315		11	1789	280			340	100	
		17	1794	350	410		120		
400		17	1750	1794	350		410	120	
		26		1861	380	460	135		
		38		1873	440	530	155		
500		30		1861	380	460	135		
		41		1873	440	530	155		
		70		1883	480	570	170		
630		37		1750	1861	380	460	135	
		53			1873	440	530	155	
		90	1883		480	570	170		
		150	2000		520	640	200		
800		64	1750	1873	440	530	155		
		100		1883	480	570	170		
		150	1850	2000	520	640	200		
		200		2016	570	700	220		
		230	1900	2144	640	780	240		
		1000	134	1750	1883	480	570	170	
150			1850	2000	520	640	200		
200				2016	570	700	220		
351			1900	2144	640	780	240		
391				2144	720	880	270		
437				2184	750	900	290		
400		2184		750	900	290			
1250		550	2190	750	900	290			

Belt Width	Dia.	Allowable	A	L	L1	Q	P	H							
		Torque KN													
1200	1250	800	1900	1400	2190	840	1000	310							
	1400	900			2190	940	1150	330							
		1050	2050		2500	1010	1200	380							
	1600	1200													
1400	315	17	1900	1600	1994	350	410	120							
	400	17			1950	1994	350	410	120						
		25	2061			380	460	135							
		40			2073				440	530	155				
		500	25		1950	2089	380	460	135						
	40		2073							440	530	155			
	66				2183	480	570	170							
	630	50	1950		2073	440	530	155							
			90						2183	480	570	170			
		120	2200		520	640	200								
		800	50		1950	2073	440	530	155						
	94		2050		2183					480	570	170			
	150					2200	520	640	200						
	186				2216					570	700	220			
	214					2344	640	780	240						
	300		2344		720					880	270				
	1000	100	2050		2183	480	570	170							
		150							2200	520	640	200			
		236			2216	570	700	220							
		331	2100						2344	640	780	240			
		361			2344	720	880	270							
		400							2384	750	900	290			
		427			2390	750	900	290							
		1250	400		2100	2384	750	900	290						
			500							2390	750	900	290		
			600											840	1000
	900		940												
	1050		2700			1010	1200	380							
	1400	600	2100		2390	840	1000	310							
		900							2390	940	1150	330			
		1050	2700		1010	1200	380								
		1200						2726	1050	1240	400				
	1600	1600	2250		2726	1050	1240	400							
	1600	400	25		2150	1800	2261	380	460	135					
			40				2273	440	530	155					
			80		2250		2383	480	570	170					
		500	40		2150		2273	440	530	155					

Belt Width	Dia.	Allowable Torque	A	L	L1	Q	P	H	
		KN							
1600	500	80	2250	1800	2383	480	570	170	
		160			2400	520	640	200	
	630	40	2150		2273	440	530	155	
		80	2250		2383	480	570	170	
		160			2400	520	640	200	
		240	2300		2466	570	700	220	
		800	40		2150	2273	440	530	155
	80		2250		2383	480	570	170	
	120				2400	520	640	200	
	160				2416	570	700	220	
	240		2300		2544	640	780	240	
	320		2350		2544	720	880	270	
	450				2634	750	900	290	
	1000				160	2250	2416	570	700
		240	2300		2544	640	780	240	
		320			2544	720	880	270	
		450	2350		2634	750	900	290	
		520			2640	750	900	290	
		800			2640	840	1000	310	
	1250	450			2350	2640	750	900	290
		520	2640			840	1000	310	
		800	2640			940	1150	330	
		1200	2450			2900	1010	1200	380
	1400	520	2350		2640	840	1000	310	
		800			2640	940	1150	330	
		1200	2450		2900	1010	1200	380	
		1600	800		2350	2640	940	1150	330
	1200		2900			1010	1200	380	
	1600		2450			2926	1050	1240	400
	1800		400			25	2350	2461	380
		40			2473	440		530	155
		80			2583	480		570	170
500		40	2350	2473	440	530	155		
		80	2450	2583	480	570	170		
		160		2600	520	640	200		
630		40	2350	2473	440	530	155		
		80	2450	2583	480	570	170		
		160		2600	520	640	200		
		240		2616	570	700	220		
		320		2500	2744	640	780	240	
800		80	2450	2583	480	570	170		



Belt Width	Dia.	Allowable Torque	A	L	L1	Q	P	H	
		KN							
1800	800	160	2450	2000	2616	570	700	220	
		240	2500		2744	640	780	240	
		320			2788	720	880	270	
		450	2550		2840	750	900	290	
	1000	160	2450		2616	570	700	220	
		240	2500		2744	640	780	240	
		450	2550		2834	750	900	290	
		520			2840	750	900	290	
		800			2840	840	1000	310	
	1250	520	2650		2840	750	900	290	
		800			2840	940	1150	330	
		1200			3100	1010	1200	380	
	1400	800	2550		2840	940	1150	330	
		1200	2650		3100	1010	1200	380	
		1600			3126	1050	1240	400	
		1600	800		2550	2840	940	1150	330
	1200		2650		3100	1010	1200	380	
	1600				3126	1050	1240	400	
	2000	400	25		2550	2661	380	460	135
			40			2673	440	530	155
80			2783	480		570	170		
500		40	2550	2673	440	530	155		
		80	2650	2783	480	570	170		
		160		2800	520	640	200		
630		40	2550	2673	440	530	155		
		80	2650	2800	520	640	200		
		160		2816	570	700	220		
		240	2700	2944	640	780	240		
800		80	2650	2783	480	570	170		
		160		2816	570	700	220		
		240	2700	2944	640	780	240		
		320		2944	720	880	270		
		550		3040	750	900	290		
		1000	160	2650	2816	570	700	220	
			240	2700	2944	640	780	240	
320			2944		720	880	270		
450			2750	3034	750	900	290		
520				3040	750	900	290		
650	3040			840	1000	310			
1250	520	2750	3040	750	900	290			
	800		3040	940	1150	330			

Belt Width	Dia.	Allowable Torque	A	L	L1	Q	P	H
		KN						
2000	1250	1200	2850	2200	3300	1010	1200	380
		800	2750		3040	940	1150	330
	1400	1200	2850		3300	1010	1200	380
		1600			3326	1050	1240	400
		800			3300	1010	1200	380
	1600	1200	3326		1050	1240	400	
		1600	3334		1090	1280	420	
		40	2850		2973	440	530	155
	500	80	2950		3083	480	570	170
120		3100		520	640	200		
40		2850		2973	440	530	155	
630	80	2950	3100	520	640	200		
	160		3116	570	700	220		
	240		3244	640	780	240		
	90	2950	3083	480	570	170		
150	3116		570	700	220			
800	240	3000	3244	640	780	240		
	320		3244	720	880	270		
	450	3050	3334	750	900	290		
	600		3340	750	900	290		
	180		2950	3116	570	700	220	
1000	240	3000	3244	640	780	240		
	320		3244	720	880	270		
	450	3050	3334	750	900	290		
	600		3340	750	900	290		
	800		3340	940	1150	330		
	1200		3600	1010	1200	380		
	400		3050	3334	750	900	290	
800	3340	940		1150	330			
1200	3150	3600		1010	1200	380		
1500			1050	1240	400			
800			1010	1200	380			
1400	1200	3150	1050	1240	400			
	1500		1090	1280	420			
	800		3150	960	1150	370		
1200	1050	1240		400				
1500	1090	1280		420				
2400	500	40	3150	2800	3273	440	530	155
		80	3250		3383	480	570	170
		160			3400	520	640	200
		240			3416	570	700	220
	40	3150	3273		440	530	155	

Belt Width	Dia.	Allowable Torque	A	L	L1	Q	P	H
		KN						
2400	630	80	3250	2800	3383	480	570	170
		160			3416	570	700	220
		240	3300		3544	640	780	240
		320			3544	720	880	270
	800	150	3250		3416	570	700	220
		240	3300		3544	640	780	240
		320			3544	720	880	270
		450	3350		3634	750	900	290
		600			3640	750	900	290
	1000	240	3300		3544	640	780	240
		450	3350		3634	750	990	290
		600			3640	750	900	290
		800			3640	840	1000	310
		1000			3640	940	1150	330
		1200			3450	3900	1010	1200
	800	3350			3640	940	1150	330
	1250	1200	3450		3900	1010	1200	380
		1500			3926	1050	1240	400
		800			3900	1010	1200	380
	1400	1200	3450		3926	1050	1240	400
		1500			3934	1090	1280	420
		800			3900	1010	1200	380
	1600	1200	3450		3926	1050	1240	400
		1500			3934	1090	1280	420
		1200			3926	1050	1240	400
	1800	1500	3450		3934	1090	1280	420
		1200			3926	1050	1240	400



Webiste :[www.mmstacker.com](http://www.mmstacker.com)  
Email : [info@mmstacker](mailto:info@mmstacker)