



MNSTACKER



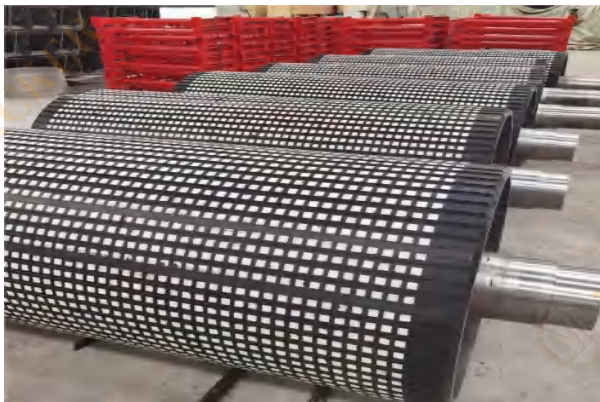
Belt Conveyor Pulley

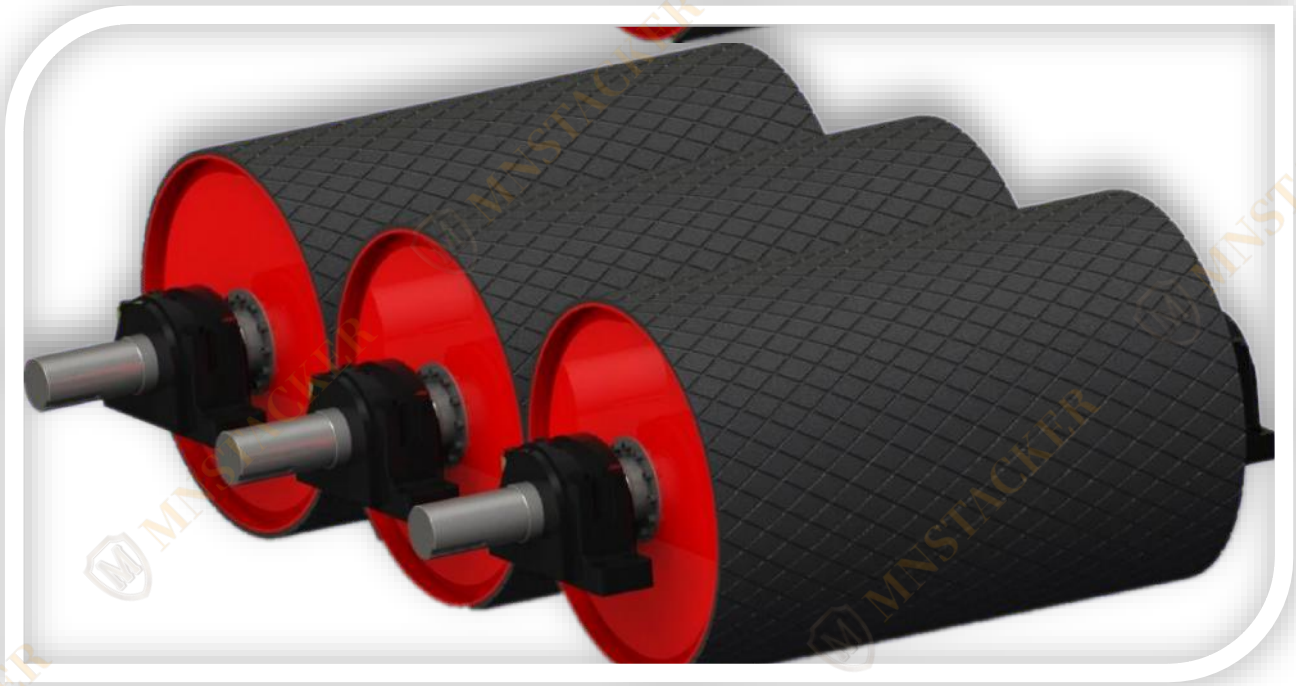
Website: www.mnstacker.com

Email: info@mnstacker.com

Catalog

1.1 Introduction.....	4
1.2 Drive Pulley	6
1.3 Non-drive Pulley	12





Conveyor Pulleys

The conveyor drum is one of the important components of a belt conveyor, and its function mainly includes three aspects: supporting the rotation of the conveyor belt, transmitting driving power to the conveyor belt, and adjusting the position of the conveyor belt.

According to the function of the drum in the belt conveyor, it can be divided into two categories: drive drum pulley and Non-drive pulley.



Diamond Profile Rubber lagged pulleys.

Diamond grooved lagging features a pattern of diamond-shaped grooves on the lagging surface. This design improves traction and helps to channel water and debris away from the pulley, preventing slippage.

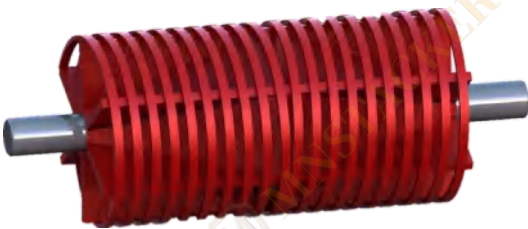


Non-lagged Conveyor Pulley



Ceramics Rubber Lagged Pulley

Ceramic lagging incorporates ceramic tiles embedded in a rubber matrix. This combination enhances wear resistance and provides additional grip, making it suitable for applications involving abrasive materials.



Spiral Wing Pulley

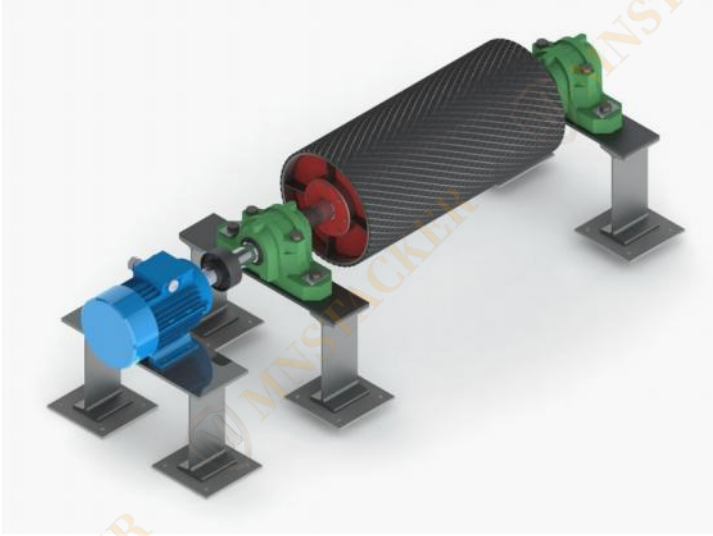
Available in crow spiral wing pulleys are formed by winding flat bar spirally from the center of a wing pulley to the outside ends. This continuous belt contact design eliminates excessive noise and vibration, while still providing a cleaning effect and allowing a path for debris to escape rather than being trapped between the pulley and belt. n or Flat Face.



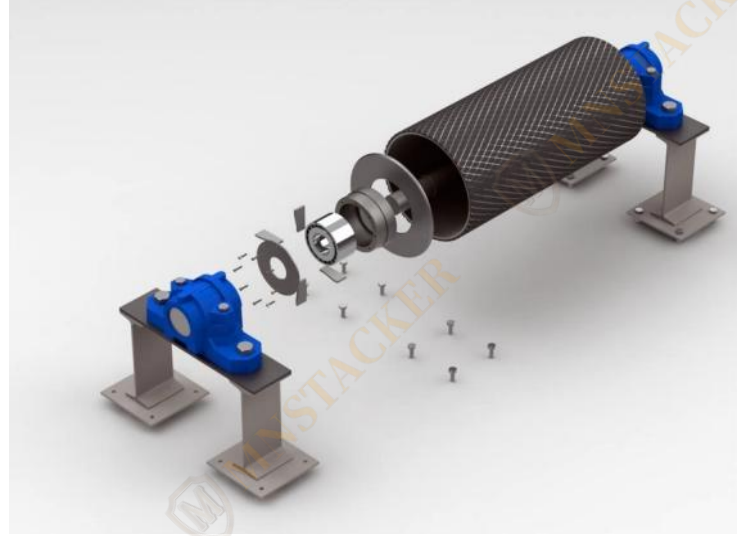
Winged Pulley

Mine duty and quarry duty and heavy duty pulleys provide effective self-cleaning action reducing material build-up. The duty construction reduces the possibility of metal fatigue and enhances the dependability of the pulley. Ideally suited for harsh application and abrasive conditions.

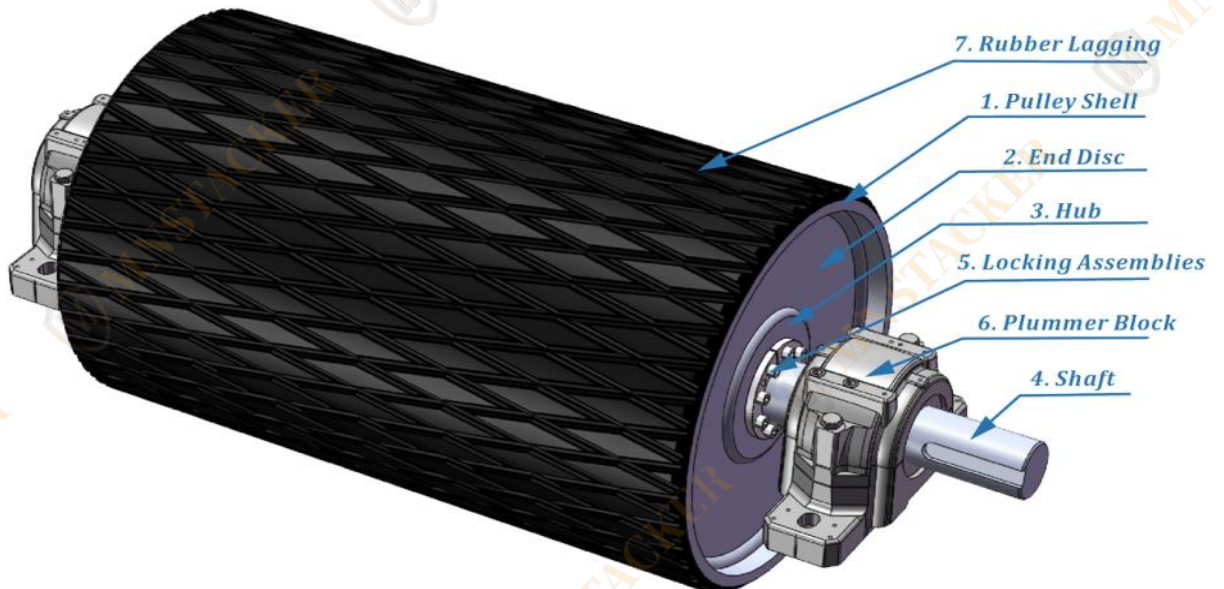
Drum Pulley Structure



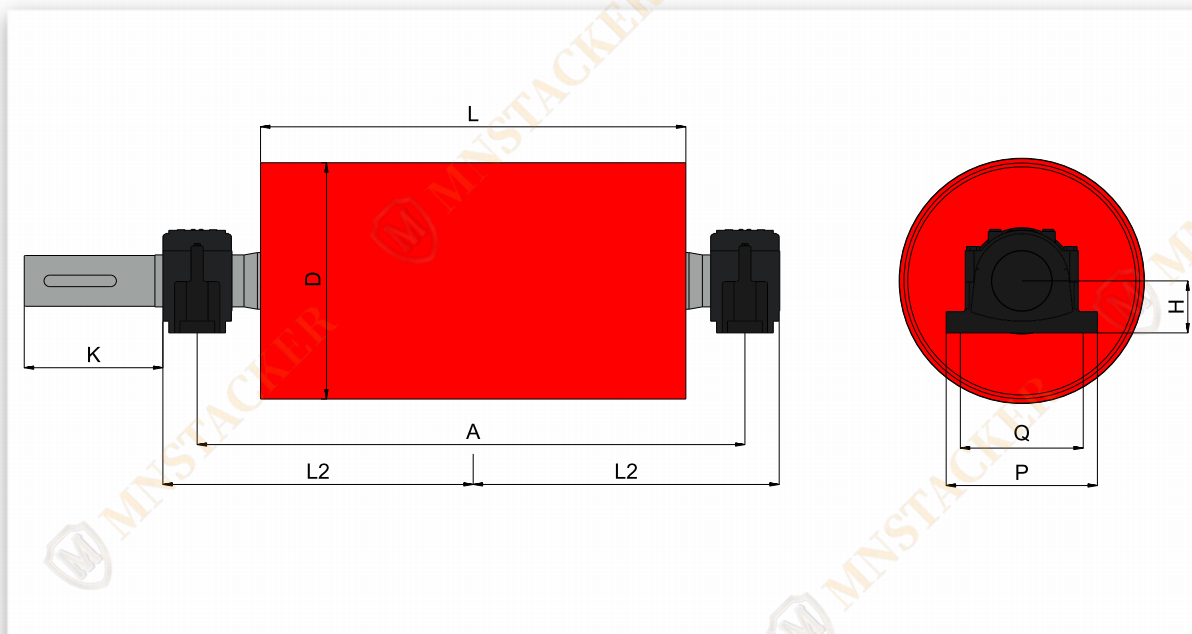
Drive Pulley



Non-drive Pulley



1.2 Drive Pulley



Belt Width	Dia.	Allowable Torque	Allowed combined force	A	L	L2	K	Q	P	H	
		KN · m	KN								
400	250	0.63	15	750	500	445	110	260	320	90	
		0.63	12				110	260	320	90	
	400	1.0	20			450	110	280	340	100	
		1.0	15			445	110	260	320	90	
		1.6	24			450	110	280	340	100	
500	250	0.63	15	850	600	495	110	260	320	90	
		0.63	12				110	260	320	90	
	315	1.0	20			495	110	280	340	100	
		400	1.25			20	495	110	260	320	90
			2.0			30	495	110	280	340	100
	500	1.6	30			495	110	280	340	100	
			2.7			49	495	140	350	410	120
650	315	1.25	25	1000	750	570	110	260	320	90	
		1.25	25				110	260	320	90	
	400	2.0	35			570	110	280	340	100	
		500	3.5			40	570	140	350	410	120
			6.3			59	590	170	380	460	135
	630	4.1	40			570	140	350	410	120	
		7.3	80			590	170	380	460	135	
800	315	1.25	25	1300	950	720	110	260	320	90	
		1.25	20				110	260	320	90	
	400	2	30			720	110	280	340	100	
		2.5				720	140	350	410	120	

Belt Width	Dia.	Allowable Torque	Allowed combined force	A	L	L2	K	Q	P	H	
		KN · m	KN								
800	500	4.1	40	1300	950	740	170	380	460	135	
		6	50			740	170	380	460	135	
	630	12	80			740	210	440	530	155	
		20	100			750	250	480	570	170	
	800	7	50			740	170	380	460	135	
		12	80			740	210	440	530	155	
		20	110	750		250	480	570	170		
		32	160	1400		800	250	520	640	200	
	1000	12	80	1300		740	210	440	530	155	
		20	120	1300		750	250	480	570	170	
		32	190	1400		800	250	520	640	200	
		40	240			870	300	570	700	220	
		52	310	870		350	640	780	240		
		66	400	1450		895	350	720	880	270	
	1250	40	270	1400		870	350	640	780	240	
		66	320	1450		925	350	750	900	290	
		80	450			925	410	750	900	290	
		120	520			925	410	840	1000	310	
1000	400	2.5	30		1500	1150	820	140	350	410	120
	500	3.5	45	820			140	350	410	120	
		6.3	75	840			170	380	460	135	
	630	6	40	840			170	380	460	135	
		12	73	840			210	440	530	155	
	800	12	73	1600			840	210	440	530	155
		20	110		850		250	480	570	170	
		27	160		900		250	520	640	200	
		40	190		910		300	570	700	220	
	1000	52	320	1650	995		350	640	780	240	
		12	80		1500		840	210	440	530	155
		20	110		1500		850	250	480	570	170
		27	170		1600		900	250	520	640	200
		40	210		1600		910	300	570	700	220
		52	330		1650		995	350	640	780	240
	66	400	1000	350			720	880	270		
	1250	52	320	1000			350	720	880	270	
		66	450	1025			350	750	900	290	
80		520	1025	410	750	900	290				
120		660	1025	410	840	1000	310				
1400	66	450	1650	1150	1000	350	750	900	290		
	120	520	1650	1150	1025	410	840	1000	310		
	160	660	1650	1150	1025	470	940	1150	330		

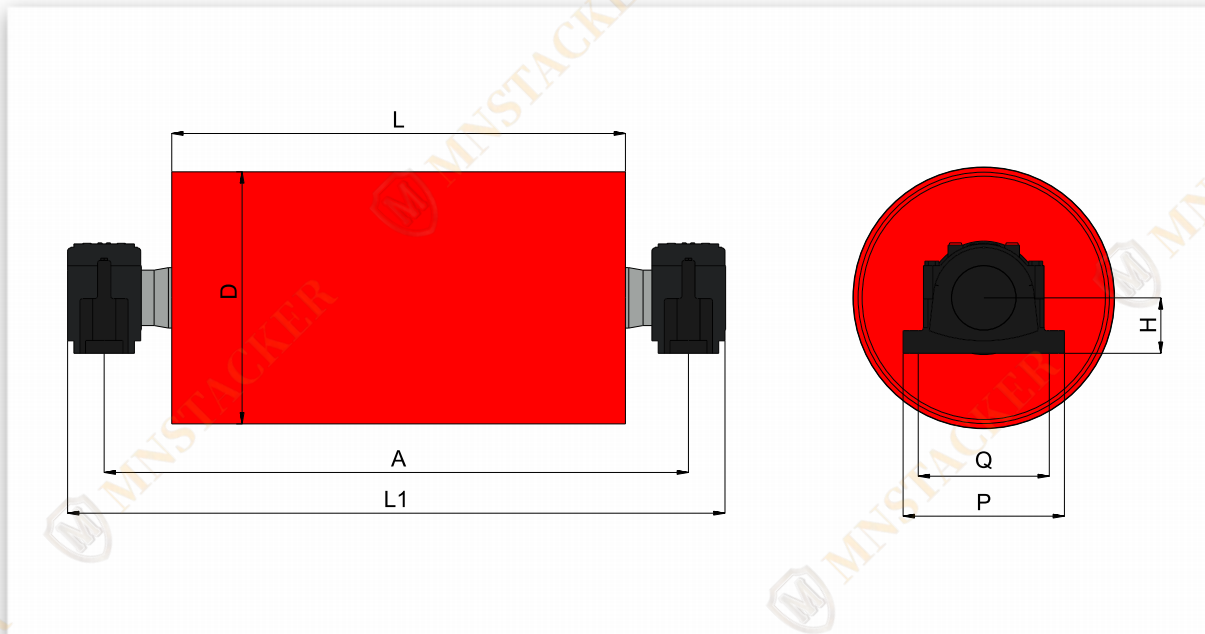
Belt Width	Dia.	Allowable Torque	Allowed combined force	A	L	L2	K	Q	P	H	
		KN · m	KN								
1000	1600	120	520	1650	1150	1025	470	940	1150	330	
		160	660	1800		1175	470	1010	1200	380	
1200	500	6.3	60	1750	1400	965	170	380	460	135	
	630	12	52			975	210	440	530	155	
		20	85	975	250	480	570	170			
	800	12	80	1750	1400	975	210	440	530	155	
		20	110			975	250	480	570	170	
		27	140	1850		1025	250	520	640	200	
		40	180			1035	300	570	700	220	
		52	230	1900		1120	350	640	780	240	
		1000	12	80		1750	1400	975	210	440	530
	20		110	975	250			480	570	170	
	27		160	1850	1025	250		520	640	200	
	40		210		1035	300		570	700	220	
	52		290	1900	1120	350		640	780	240	
	66		330		1120	350		720	880	270	
	1250	80	450	1900	1400	1150	350	750	900	290	
		52	320			1150	350	750	900	290	
		66	450				410	750	900	290	
		80	520			410	840	1000	310		
	1400	120	660	1900	1400	1150	470	940	1150	330	
		80	520			1150	410	840	1000	310	
		120	660				1900	1150	470	940	1150
		160	800			2050	1300	470	1010	1200	380
	1600	120	660	1900	1400	1150	470	940	1150	330	
		160	800			2050	1300	470	1010	1200	380
1400	800	20	100	2050	1600	1125	250	480	570	170	
		27	130			1125	250	520	640	200	
		40	170			1135	300	570	700	220	
		52	210	2100		1220	350	640	780	240	
		66	320			1220	350	720	880	270	
	1000	20	100	2050		1125	250	480	570	170	
		27	160			1125	250	520	640	200	
		40	210			1135	300	570	700	220	
		52	260	2100		1220	350	640	780	240	
		66	300			1220	350	720	880	270	
		80	450			1250	350	750	900	290	
	1250	52	260	2100		1250	350	750	900	290	
		66	450			1250	410	750	900	290	
		80	520			1260	410	840	1000	310	
		120	660			1260	470	940	1150	330	

Belt Width	Dia.	Allowable Torque	Allowed combined force	A	L	L2	K	Q	P	H				
		KN · m	KN											
1400	1400	80	520	2100	1600	1260	410	840	1000	310				
		120	800			1260	470	940	1150	330				
		160	1050	2250		1400	470	1010	1200	380				
	1600	120	800	2150		1285	470	940	1150	330				
		160	1050	2250		1400	470	1010	1200	380				
1600	800	20	120	2250	1800	1235	250	520	640	200				
		27	160			1245	300	570	700	220				
		40	240	2300		1330	350	640	780	240				
		52	320				350	720	880	270				
		66	450	2350		1375	350	750	900	290				
		1000	27	160		2250	1245	300	570	700	220			
	40		240	2300		1330	350	640	780	240				
	52		320				350	720	880	270				
	66		450	2350		1375	350	750	900	290				
	80		520	2350		1385	410	750	900	290				
	120		650			1385	410	840	1000	310				
	1250	66	450	2350		1800	1375	350	750	900	290			
		80	520				1385	410	750	900	290			
		120	650				1385	410	840	1000	310			
		160	800				1385	470	940	1150	330			
		1400	80				520	2450	1800	1385	410	840	1000	310
			120				800			1385	470	940	1150	330
	160		1050	1500		470	1010			1200	380			
	80		520	2350		1800	1385			410	840	1000	310	
	120	800	1385				470	940	1150	330				
	160	1200	2450				1500	470	1010	1200	380			
	1800	800	20	160		2450	2000	1335	250	520	640	200		
			27	240				1345	300	570	700	220		
			40	320		2500		1430	350	640	780	240		
52			450	350	720				880	270				
66			520	2550	1475	350		750	900	290				
1000			40	320	2500	1430		350	640	780	240			
		52	450	350				720	880	270				
		66	520	2550	2000	1475		350	750	900	290			
		80	650			1485		410	750	900	290			
		120	800			1485		410	840	1000	310			
		66	450			1485		410	750	900	290			
1250		80	520	2550	2000	1485		410	840	1000	310			
		120	650			1485		470	940	1150	330			
		80	450			2550		2000	1485	410	840	1000	310	
120		800	1485	470	940				1150	330				
1400		80	450	2550	2000	1485		410	840	1000	310			
		120	800			1485		470	940	1150	330			

Belt Width	Dia.	Allowable Torque	Allowed combined force	A	L	L2	K	Q	P	H		
		KN · m	KN									
1800	1400	160	1050	2650	2000	1600	470	1010	1200	380		
	1600	120	800	2550		1485	470	940	1150	330		
		160	1050	2650		1600	470	1010	1200	380		
2000	800	20	160	2650	2200	1445	250	520	640	200		
		27	240			1455	300	570	700	220		
		40	320	2700		1520	350	640	780	240		
		52	450				350	720	880	270		
		66	520	2750		1575	350	750	900	290		
	1000	40	320	2700		1520	350	640	780	240		
		52	450				350	720	880	270		
		66	520	2750		1575	350	750	900	290		
		80	650			1585	410	750	900	290		
	1250	120	800	2750		1585	410	840	1000	310		
		66	450			1585	410	750	900	290		
		80	520			1585	410	840	1000	310		
	1400	120	800	2750		1585	410	840	1000	310		
		80	450			1585	470	940	1150	330		
		160	1200			2850	1700	470	1010	1200	380	
	1600	120	800	2750		1585	470	940	1150	330		
		160	1200	2850		1700	470	1010	1200	380		
	2200	800	27	240		2950	2500	1605	300	570	700	220
			40	320		3000		1670	350	640	780	240
			52	450		3000		1670	350	720	880	270
66			520	3050	1725	350		750	900	290		
1000		40	320	3000	1670	350		720	880	270		
		52	450	3050	1725	350		750	900	290		
		66	520		1735	410		750	900	290		
		80	650		1735	410		840	1000	310		
120		800	1735		470	940		1150	370			
1250		80	450	3050	1735	410		840	1000	310		
		120	800		1735	470		940	1150	330		
		160	1200		3150	1850		470	1010	1200	380	
1400		80	450	3050	1735	470		940	1150	330		
		120	800	3150	1850	470		1010	1200	380		
		160	1200	3200	1885	470		1050	1240	400		
		120	800	3150	1850	470		1010	1200	380		
1600	160	1200	3200	1885	470	1050	1240	400				
	160	1200	3200	1885	470	1050	1240	400				
2400	800	27	240	3250	2800	1755	300	570	700	220		
		40	320	3300		1820	350	640	780	240		
		52	450	3300		1820	350	720	880	270		

Belt Width	Dia.	Allowable Torque	Allowed combined force	A	L	L2	K	Q	P	H
		KN · m	KN							
2400	800	66	520	3350	2800	1875	350	750	900	290
	1000	40	320	3300		1820	350	720	880	270
		52	450	3350		1875	350	750	900	290
		66	520			1885	350	750	900	290
		80	650			1885	410	840	1000	310
		120	800			1885	470	940	1150	370
		1250	80			450	1885	410	840	1000
	120		800			1885	470	940	1150	330
	160		1200	3450		2000	470	1010	1200	380
	1400	80	450	3350		1885	470	940	1150	330
		120	800	3450		2000	470	1010	1200	380
		160	1200	3500		2035	470	1050	1240	400
	1600	120	800	3450		2000	470	1010	1200	380
		160	1200	3500		2035	470	1050	1240	400
	1800	120	800	3450		2000	470	1010	1200	380
		160	1200	3500		2035	470	1050	1240	400

1.3 Non-drive Pulley



Belt Width	Dia.	Allowable Torque KN	A	L	L1	Q	P	H			
400	200	8	750	500	830	260	320	90			
	250	8									
	315	10									
	400	16			860	280	340	100			
		24									
500	200	8	850	600	930	260	320	90			
	250	9									
	315	10									
	400	10			960	280	340	100			
		23									
	500	28			965	350	410	120			
		49									
650	200	8	1000	750	1101	260	320	90			
	250	8									
	315	8			1110	280	340	100			
		16									
		26									
	400	20			1115	350	410	120			
		32									
		46									
		1139							380	460	135
		40							1115	350	410

Belt Width	Dia.	Allowable Torque KN	A	L	L1	Q	P	H
650	500	59	1000	750	1139	380	460	135
	630	59			1139	380	460	135
		70	1050		1201	440	530	155
800	200	6	1250	950	1330	260	320	90
	250	6			1339	280	340	100
	315	12			1344	350	410	120
		20	1300		1411	380	460	135
	400	29			1423	440	530	155
		45			1411	380	460	135
	500	40	1300		1423	440	530	155
		56			1433	480	570	170
		100			1411	380	460	135
	630	50	1300		1423	440	530	155
		73			1433	480	570	170
		100			1550	520	640	200
		170			1423	440	530	155
	800	90	1300		1433	480	570	170
		126			1550	520	640	200
		170			1566	570	700	220
		250			1550	520	640	200
	1000	240	1400		1566	570	700	220
		330			1644	640	780	240
		400			1644	720	880	270
	1250	400	1450		1734	750	900	290
		550			1740	750	900	290
		800						
	1000	250	6		1450	1150	1530	260
315		11	1539	280			340	100
		18	1544	350			410	120
400		18	1500	1544	350		410	120
		29		1611	380		460	135
45		1623		440	530		155	
500		35	1500	1611	380		460	135
		45		1623	440		530	155
		75		1633	480		570	170
630		43	1500	1611	380		460	135
		64		1623	440		530	155
		87		1633	480		570	170
		168		1750	520		640	200
800		79	1500	1623	440		530	155

Belt Width	Dia.	Allowable Torque KN	A	L	L1	Q	P	H		
1000	800	110	1500	1150	1633	480	570	170		
		168	1600		1750	520	640	200		
		220			1766	570	700	220		
		300	1650		1894	640	780	240		
	1000	130	130		1500	1633	480	570	170	
			200		1600	1750	520	640	200	
			290			1766	570	700	220	
		387	1650		1894	640	780	240		
					429	1894	720	880	270	
	1250	400	400		1650	1894	720	880	270	
			550			1934	750	900	290	
		660	1940			750	900	290		
			1934			750	900	290		
	1400	600	1940			840	1000	310		
		900	1940			940	1150	330		
	1600	1200								
	1200	250	6		1700	1780	260	320	90	
315		11	1789	280		340	100			
		17	1794	350		410	120			
400		17	1794	350		410	120			
		26	1750	1861	380	460	135			
		38		1873	440	530	155			
30		1861		380	460	135				
		41		1873	440	530	155			
500		70	1883	480	570	170				
		630	37	1861	380	460	135			
			53	1873	440	530	155			
90			1883	480	570	170				
800		150	1850	2000	520	640	200			
		64	1750	1873	440	530	155			
		100		1883	480	570	170			
		150	1850	2000	520	640	200			
		200		2016	570	700	220			
		230	1900	2144	640	780	240			
1000		134	1750	1883	480	570	170			
		150	1850	2000	520	640	200			
		200		2016	570	700	220			
		351	1900	2144	640	780	240			
		391		2144	720	880	270			
		437		2184	750	900	290			
1250		400		2184	750	900	290			
		550		2190	750	900	290			

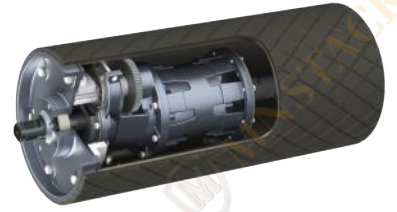
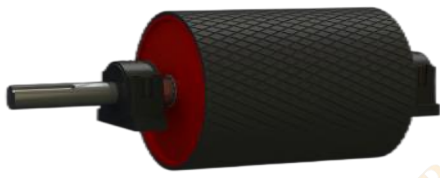
Belt Width	Dia.	Allowable Torque KN	A	L	L1	Q	P	H		
1200	1250	800	1900	1400	2190	840	1000	310		
	1400	900			2190	940	1150	330		
		1050	2050		2500	1010	1200	380		
	1600	1200								
1400	315	17	1900	1600	1994	350	410	120		
	400	17			1950	1994	350	410	120	
		25	2061			380	460	135		
		40	2073		440	530	155			
		500	25		1950	2089	380	460	135	
	40		2073			440	530	155		
	66		2050		2183	480	570	170		
	630	50	1950		2073	440	530	155		
		90	2050		2183	480	570	170		
		120			2200	520	640	200		
	800	50	1950		2073	440	530	155		
		94	2050		2183	480	570	170		
		150			2200	520	640	200		
		186			2216	570	700	220		
		214			2344	640	780	240		
		300	2100		2344	720	880	270		
		1000	100		2050	2183	480	570	170	
			150			2200	520	640	200	
	236		2216			570	700	220		
	331		2100		2344	640	780	240		
	361				2344	720	880	270		
	400				2384	750	900	290		
	427				2390	750	900	290		
	1250	400	2100		2384	750	900	290		
		500			2390	750	900	290		
		600			2390	840	1000	310		
		900			2390	940	1150	330		
		1050			2700	1010	1200	380		
	1400	600	2100		2390	840	1000	310		
		900			2390	940	1150	330		
		1050	2700		1010	1200	380			
	1600	1200	2250		2700	1010	1200	380		
		1600			2726	1050	1240	400		
	1600	400	25		2150	1800	2261	380	460	135
			40				2273	440	530	155
			80		2250		2383	480	570	170
		500	40		2150		2273	440	530	155

Belt Width	Dia.	Allowable Torque KN	A	L	L1	Q	P	H
1600	500	80	2250	1800	2383	480	570	170
		160			2400	520	640	200
	630	40	2150		2273	440	530	155
		80	2250		2383	480	570	170
		160			2400	520	640	200
		240	2300		2466	570	700	220
	800	40	2150		2273	440	530	155
		80	2250		2383	480	570	170
		120			2400	520	640	200
		160			2416	570	700	220
		240	2300		2544	640	780	240
		320			2544	720	880	270
		450	2350		2634	750	900	290
	1000	160	2250		2416	570	700	220
		240	2300		2544	640	780	240
		320			2544	720	880	270
		450	2350		2634	750	900	290
		520			2640	750	900	290
		800			2640	840	1000	310
	1250	450	2450		2640	750	900	290
		520			2640	840	1000	310
		800			2640	940	1150	330
		1200			2900	1010	1200	380
	1400	520	2350		2640	840	1000	310
		800			2640	940	1150	330
		1200			2900	1010	1200	380
	1600	800	2350		2640	940	1150	330
		1200			2900	1010	1200	380
1600		2926		1050	1240	400		
1800	400	25	2350	2000	2461	380	460	135
		40			2473	440	530	155
		80			2583	480	570	170
	500	40	2350		2473	440	530	155
		80	2450		2583	480	570	170
		160			2600	520	640	200
	630	40	2350		2473	440	530	155
		80	2450		2583	480	570	170
		160			2600	520	640	200
		240			2616	570	700	220
		320	2500		2744	640	780	240
	800	80	2450		2583	480	570	170

Belt Width	Dia.	Allowable Torque KN	A	L	L1	Q	P	H
1800	800	160	2450	2000	2616	570	700	220
		240	2500		2744	640	780	240
		320			2788	720	880	270
		450	2550		2840	750	900	290
	1000	160	2450		2616	570	700	220
		240	2500		2744	640	780	240
		450	2550		2834	750	900	290
		520			2840	750	900	290
		800			2840	840	1000	310
		520			2840	750	900	290
	1250	800	2650		2840	940	1150	330
		1200			3100	1010	1200	380
		800			2840	940	1150	330
		1200			3100	1010	1200	380
	1400	800	2550		2840	940	1150	330
		1200	2650		3100	1010	1200	380
		1600			3126	1050	1240	400
		800	2550		2840	940	1150	330
	1600	1200	2650		3100	1010	1200	380
		1600			3126	1050	1240	400
25		2550	2661	380	460	135		
40			2673	440	530	155		
400	80	2650	2783	480	570	170		
	40	2550	2673	440	530	155		
	80	2650	2783	480	570	170		
160	2800		520	640	200			
500	40	2550	2673	440	530	155		
	80	2650	2783	480	570	170		
	160		2800	520	640	200		
	40	2550	2673	440	530	155		
630	80	2650	2800	520	640	200		
	160		2816	570	700	220		
	240	2700	2944	640	780	240		
	80	2650	2783	480	570	170		
160	2816		570	700	220			
800	240	2700	2944	640	780	240		
	320		2944	720	880	270		
	550	2750	3040	750	900	290		
	160	2650	2816	570	700	220		
	240	2700	2944	640	780	240		
	320		2944	720	880	270		
1000	450	2750	3034	750	900	290		
	520		3040	750	900	290		
	650		840	1000	310			
	520		3040	750	900	290		
	800	2750	3040	750	900	290		
	800		940	1150	330			

Belt Width	Dia.	Allowable Torque KN	A	L	L1	Q	P	H
2000	1250	1200	2850	2200	3300	1010	1200	380
		800	2750		3040	940	1150	330
		1200	2850		3300	1010	1200	380
	1400	1600	2850		3326	1050	1240	400
		800	2850		3300	1010	1200	380
		1200	2850		3326	1050	1240	400
		1600	2850		3334	1090	1280	420
		40	2850		2973	440	530	155
		500	80		2950	3083	480	570
120	2950		3100	520	640	200		
40	2850		2973	440	530	155		
630	80	2950	3100	520	640	200		
	160	2950	3116	570	700	220		
	240	3000	3244	640	780	240		
	90	2950	3083	480	570	170		
	800	150	2950	3116	570	700	220	
		240	3000	3244	640	780	240	
320		3000	3244	720	880	270		
450		3050	3334	750	900	290		
600		3050	3340	750	900	290		
1000	180	2950	3116	570	700	220		
	240	3000	3244	640	780	240		
	320	3000	3244	720	880	270		
	450	3050	3334	750	900	290		
	600	3050	3340	750	900	290		
	800	3150	3340	940	1150	330		
	1200	3150	3600	1010	1200	380		
	400	3050	3334	750	900	290		
1250	800	3050	3340	940	1150	330		
	1200	3150	3600	1010	1200	380		
	1500	3150		1050	1240	400		
	800	3150		1010	1200	380		
1200	3150	1050		1240	400			
1400	1500	3150	1090	1280	420			
	800	3150	960	1150	370			
	1200	3150	1050	1240	400			
1600	1500	3150	1090	1280	420			
	40	3150	3273	440	530	155		
	500	80	3250	3383	480	570	170	
160		3250	3400	520	640	200		
240		3250	3416	570	700	220		
2800		2800	2800	2800	2800	2800	2800	

Belt Width	Dia.	Allowable Torque KN	A	L	L1	Q	P	H
2400	630	80	3250	2800	3383	480	570	170
		160			3416	570	700	220
		240	3300		3544	640	780	240
		320			3544	720	880	270
	800	150	3250		3416	570	700	220
		240	3300		3544	640	780	240
		320			3544	720	880	270
		450	3350		3634	750	900	290
		600			3640	750	900	290
	1000	240	3300		3544	640	780	240
		450	3350		3634	750	990	290
		600			3640	750	900	290
		800			3640	840	1000	310
		1000			3640	940	1150	330
		1200			3450	3900	1010	1200
	800	3350			3640	940	1150	330
	1250	1200	3450		3900	1010	1200	380
		1500			3926	1050	1240	400
		800			3900	1010	1200	380
	1400	1200	3450		3926	1050	1240	400
		1500			3934	1090	1280	420
		800			3900	1010	1200	380
	1600	1200	3450		3926	1050	1240	400
		1500			3934	1090	1280	420
1200		3926		1050	1240	400		
1800	1500	3450	3934	1090	1280	420		
	1200		3926	1050	1240	400		



Leading manufacturer for conveyor components

Website: www.mnstacker.com

Email: info@mnstacker.com