



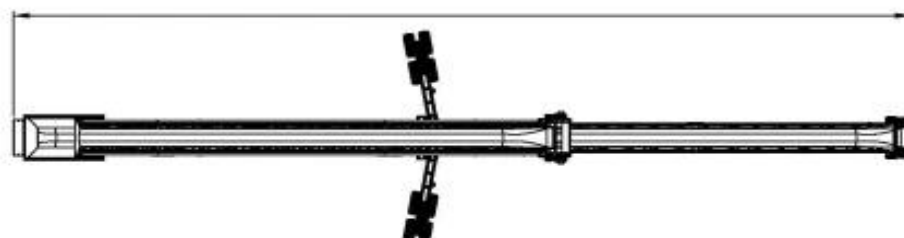
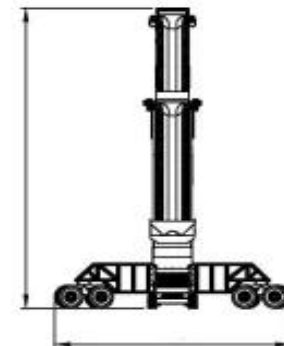
Radial Telescopic Stacker

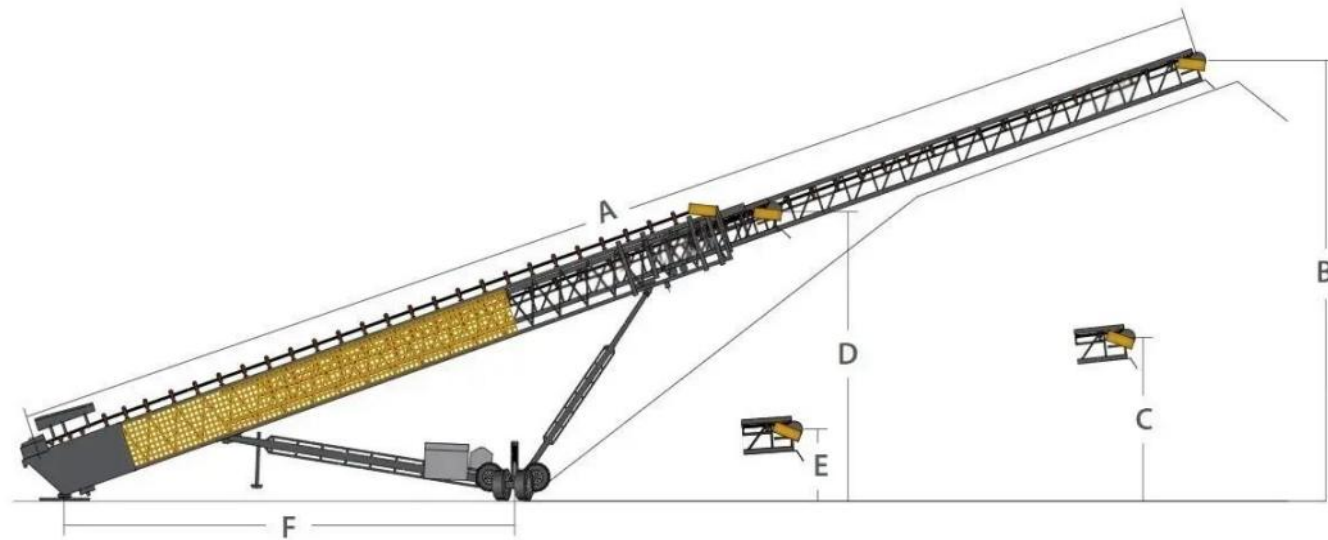
Telestacker Conveyor

The RTS Radial Telescopic Stacking Conveyor is the most cost efficient and effective radial stacking conveyor for stockyard of bulk materials. The stockpiling equipment can be mounted on crawlers. It adapts to various terrain movements.

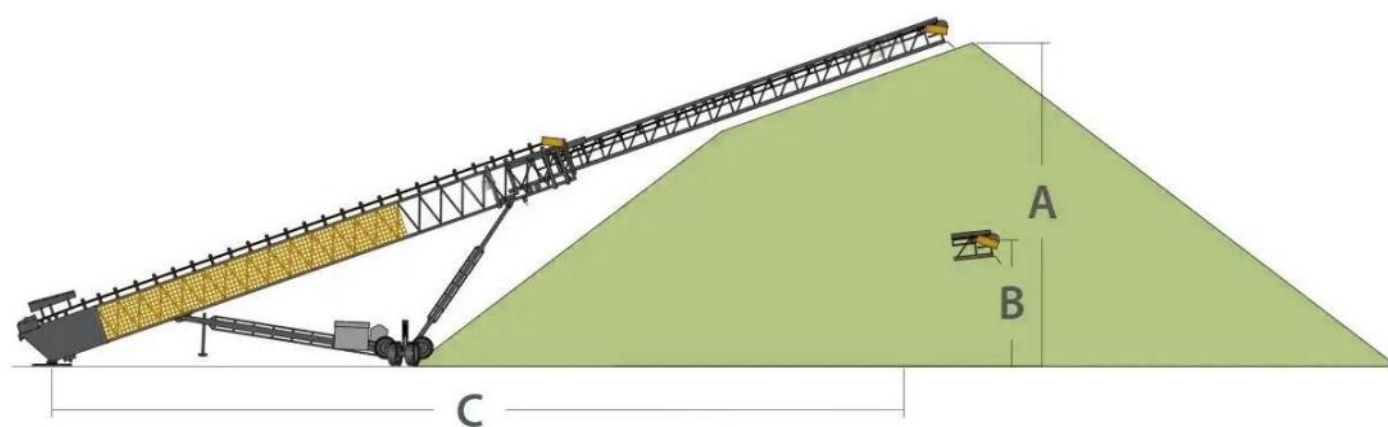
Website: <https://www.mnstacker.com>

Email: info@mnstacker.com

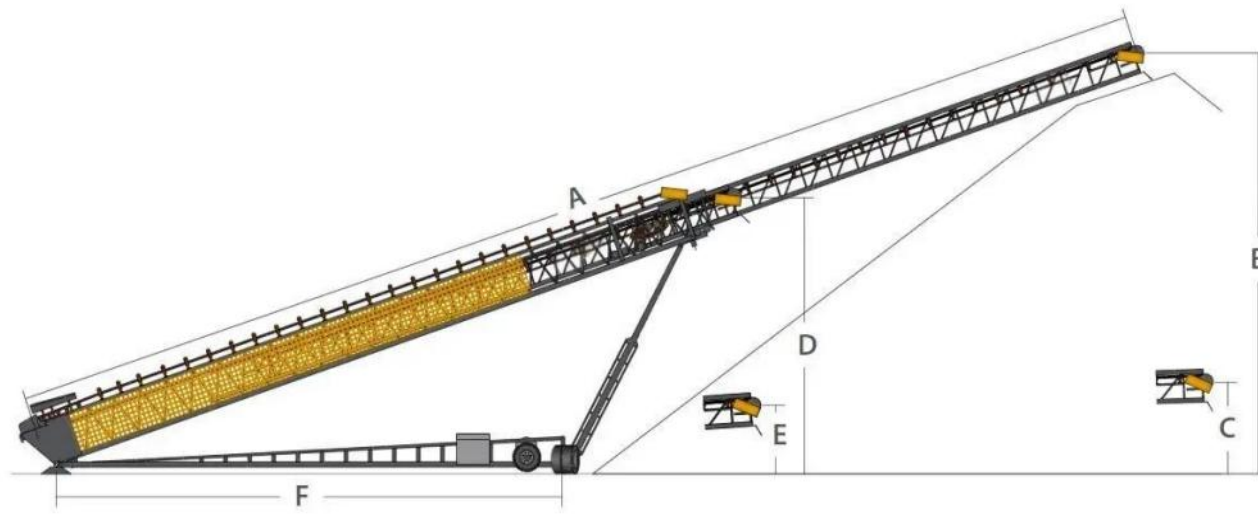




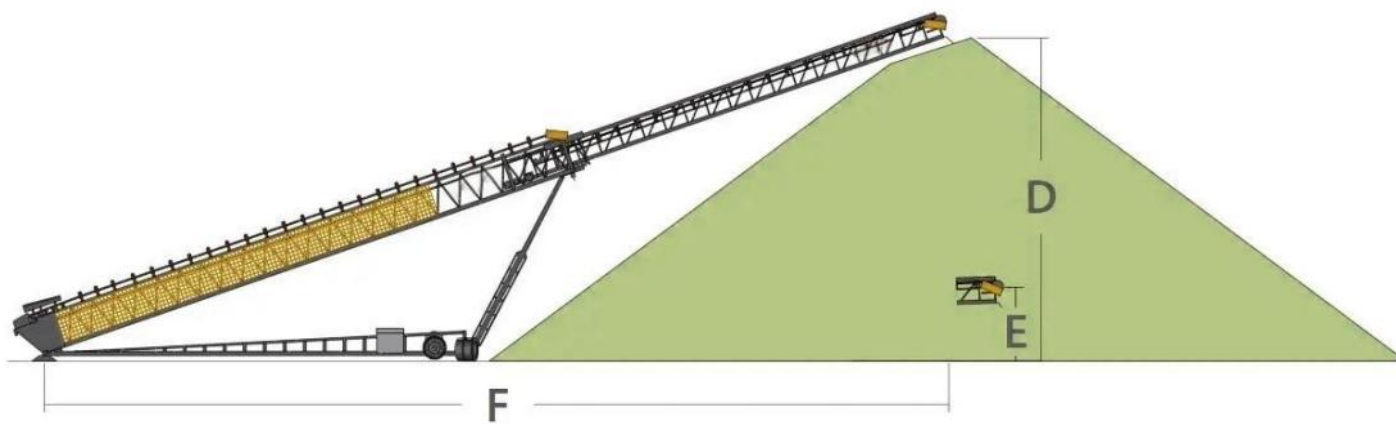
RTS Stacker (FD AXLE)					
Models	110'	130'	136'	150'	158'
(A) Conveyor Length (m)	33.5	39.6	41.5	45.7	48
(B) Highest Extended Discharge Height(m)	12.6	13.4	13.4	16.1	14.8
(C) Lowest Extended Discharge Height(m)	5.7	4.9	5.6	5.9	5.9
(D) Highest Retracted Discharge Height(m)	7.5	7.9	8.2	9.4	9.4
(E) Lowest Retracted Discharge Height(m)	3.6	3.1	3.8	3.8	3.7
(F) Anchor Pivot to Center of Axle(m)	12.1	15	16.9	16.7	21.6



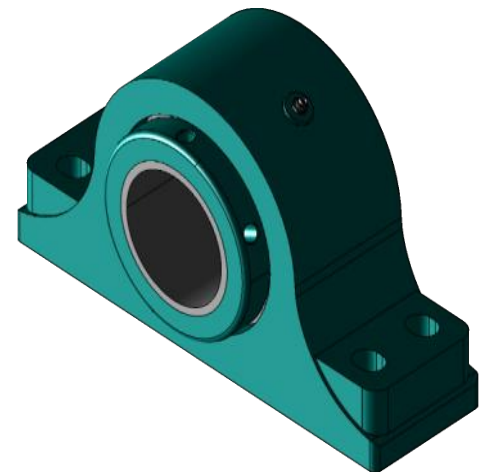
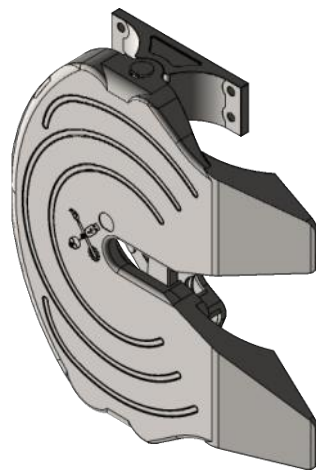
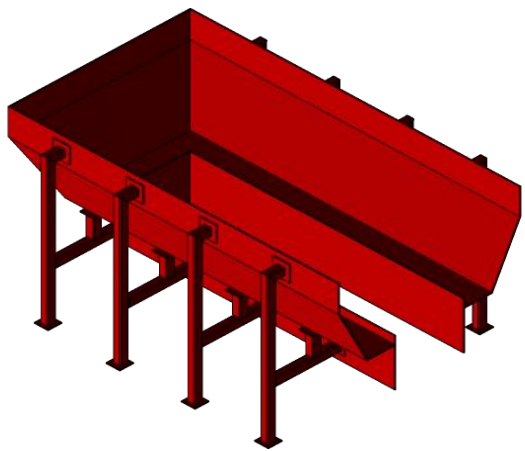
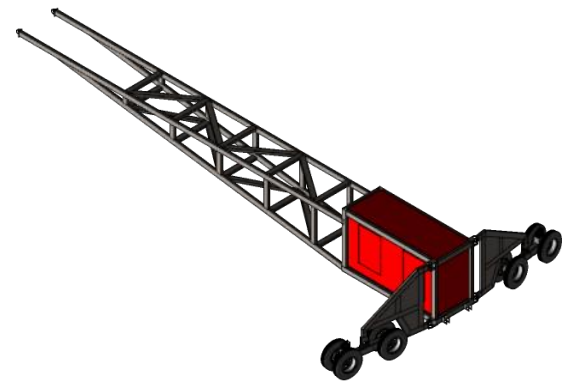
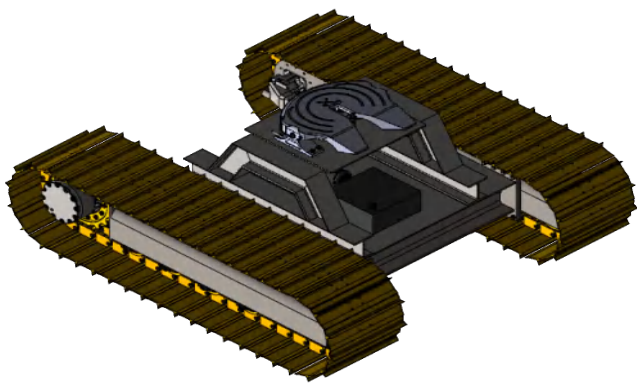
RTS Stacker (FD AXLE)					
Models	110'	130'	136'	150'	158'
(A) Maximum Pile Height	11.9	13.1	13.1	15.2	14.4
(B) Lowered Stockpile Height	4.7	4.8	4.5	5	5.7
(C) Anchor Pivot to Center of Pile	30.8	35.6	36.6	40.3	44.6
Conical Piles(m ³)	3200	4700	5300	7100	7400
90°(m ³)	15000	20900	23000	31300	31300
180°(m ³)	26300	37000	40800	55500	55200
270°(m ³)	37600	53000	58500	79800	79100



RTS Stacker (PIT AXLE)					
Models	130'	150'	170'	190'	210'
(A)Conveyor Length (m)	39.6	45.7	51.8	57.9	64
(B)Highest Extended Discharge Height(m)	13.5	16	18.5	20.5	21.8
(C)Lowest Extended Discharge Height(m)	6	6	4.5	5	5.2
(D)Highest Retracted Discharge Height(m)	8	9.5	11	11	12.5
(E)Lowest Retracted Discharge Height(m)	2.9	3.2	3.2	3.2	3.5
(F)Anchor Pivot to Center of Axle(m)	14.5	17	22.5	22.5	25



RTS Stacker (PIT AXLE)					
Models	130'	150'	170'	190'	210'
(D) Maximum Pile Height	13.5	15.2	17.7	20.1	21.1
(E) Lowered Stockpile Height	3.4	3.9	3.6	4.3	5.2
(F) Anchor Pivot to Center of Pile	35.4	40.9	48.8	52.2	57.6
Conical Piles(m ³)	5100	7000	9900	14300	20856
90°(m ³)	21200	30700	42900	63000	88375
180°(m ³)	37200	54300	76000	111500	155894
270°(m ³)	53300	78000	108900	160000	223980



All Types of Radial Telescopic Stacker Can Be Mounted By Crawler and Wheels.

Website: <https://www.mnstacker.com>

Email: info@mnstacker.com