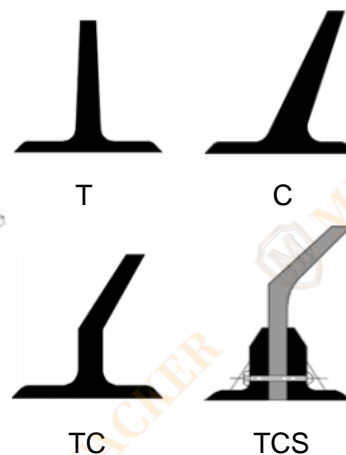
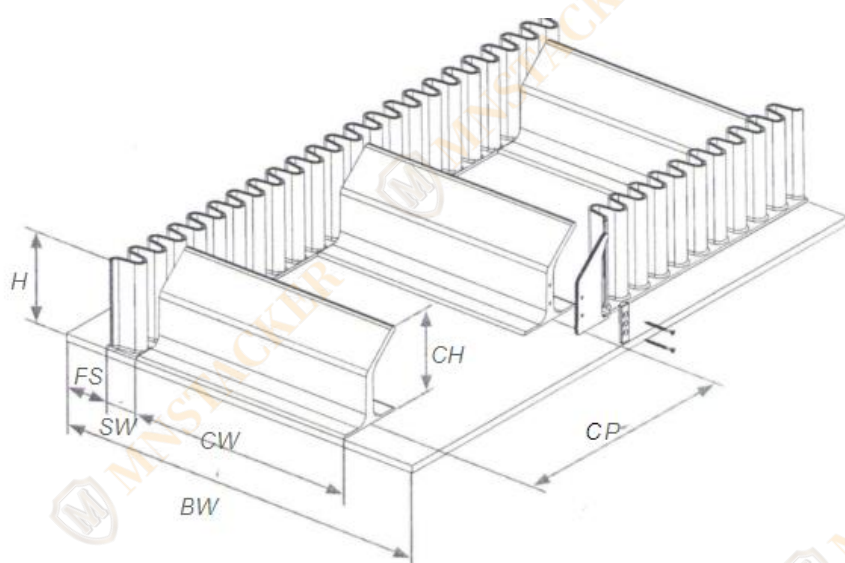


## Corrugated Sidewall Belt Inquiry Form



Cleat Types

|  |               |      |
|--|---------------|------|
| Bw:                                    |               | mm   |
| Cw:                                    |               | mm   |
| H:                                     |               | mm   |
| Ch:                                    |               | mm   |
| Cleat Type:                            | T C TC TCS    |      |
| CP:                                    |               | mm   |
| Sw:                                    |               | mm   |
| Fs:                                    |               | mm   |
| Length of belt:                        |               | m    |
| Base belt tensile strength rating:     |               | N/mm |
| Cover Rubber Thickness (Top & Bottom): | Top mm Bottom | mm   |
| Rubber Grade / conveying material      |               |      |
| Open / Endless length:                 |               |      |
| Destination (Nearest Port to You)      |               |      |

More Requirement